

Current part is item (10) on diagram. Available at www.oshkosequipment.com

(1) SMR Code	(2) Federal Stock Number	(3) Description	(4) Unit of Meas.	(5) Qty In Unit	(6) 15-day Maintenance allow	(7) Organizational Illustration	(a) Figure No.	(b) Item No.
		Reference number & mfg. code	Usable on code		(a) 1-5	(b) 6-20	(c) 21-50	(d) 51-100
0106-ENGINE LUBRICATION SYSTEM								
-CONTINUED								
PAOZZ	5305-269-3214	SCREW, CAP, HEXAGON: 3/8-16UNC-2A X 1 1/2 IN. LG OIL CAP CHAIN RETAINER MS90725-64 (96906)	AC	EA	1	* * * *	7	2
PAOZZ	2815-974-7442	CAP, OIL FILLER: VALVE COVER 222GB23 (76040)	AC	EA	1	* * * *	7	3
XBOZZ		CHAIN: OIL FILLER CAP 1AB1805 (76040)	AC	EA	1		7	4
XBOZZ		RETAINER: OIL FILLER CAP CHAIN 253GB1269 (76040)	AC	EA	1		7	5
PAOZZ	4730-890-2386	CLAMP: TURBO CHARGER INLET HOSE 180GB135 (89619)	AC	EA	1	* * * *	7	6
PAOZZ	6680-887-1334	GAGE ROD-CAP, LIQUID LEVEL: OIL 10912158 (19207)	AB	EA	1	* * * *	8	1
PAOZZ	5330-737-6332	PACKING, PREFORMED: OIL LEVEL ROD COLLAR 7376332 (19207)		EA	1	* * * *	8	2
XAOZZ		GAGE, ROD, LIQUID LEVEL: OIL 10912158-1 (19207)			1		8	3
PAOZZ	5310-143-6481	NUT, PLAIN, HEXAGON: OIL GAGE ROD SUPPORT BRACKET 7748972 (19207)	AB	EA	1	* * * *	8	4
PAOZZ	5310-285-7037	WASHER, LOCK: 216 NOM. SIZE, OIL GAGE ROD SUPPORT BRACKET MS122031 (96906)	AB	EA	1	* * * *	8	5
PAOZZ	2815-177-8215	SUPPORT, ROD OIL GAGE: 10912591 (19207)	AB	EA	1	* * * *	8	6
PAOZZ	5305-489-8350	SCREW, MACHINE: OIL GAGE ROD SUPPORT BRACKET 7748975 (19207)	AB	EA	1	* * * *	8	7
PAOZZ	2815-937-7447	SUPPORT, OIL GAGE ROD: 10889899 (19207)	AB	EA	1	* * * *	8	8
PAOZZ	5340-196-6710	SPACER RING, RING: OIL PAN DRAIN PLUG AN901-10C (88044)	AB	EA	2	* * * *	8	9
PAOZZ	5365-288-8483	PLUG, MACHINE THREAD: OIL PAN DRAIN 445097 (24617)	AB	EA	2	* * * *	8	10
PAOZZ	6680-890-6402	INDICATOR, LIQUID: OIL LEVER 795GBA130A (76040)	AC	EA	1	* * * *	9	1
PAOZZ	5306-225-9087	SCREW, CAP, HEXAGON HEAD: 5/16-24UNF-2A X 3/4 IN. LG INDICATOR GUIDE BRACKET MS90726-32 (96906)	AC	EA	1	* * * *	9	2
PAOZZ	5310-023-3524	WASHER, LOCK: 5/16 NOM SIZE, INDICATOR GUIDE BRACKET (1), GUIDE CLAMP (1) 36AX22 (76040)	AC	EA	2	* * * *	9	3

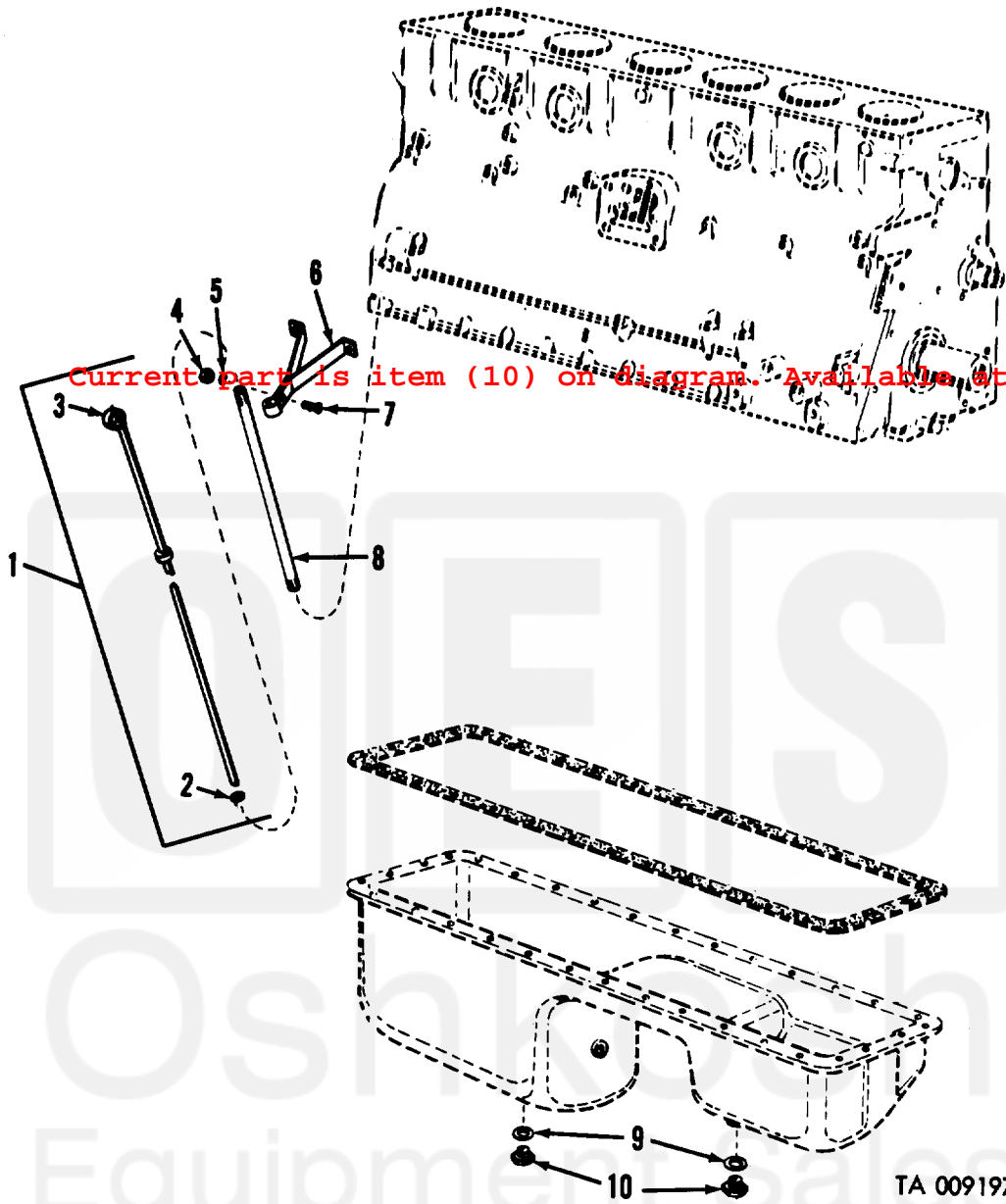


Figure 8. Oil level gage, drain, plugs and related parts—multifuel.